

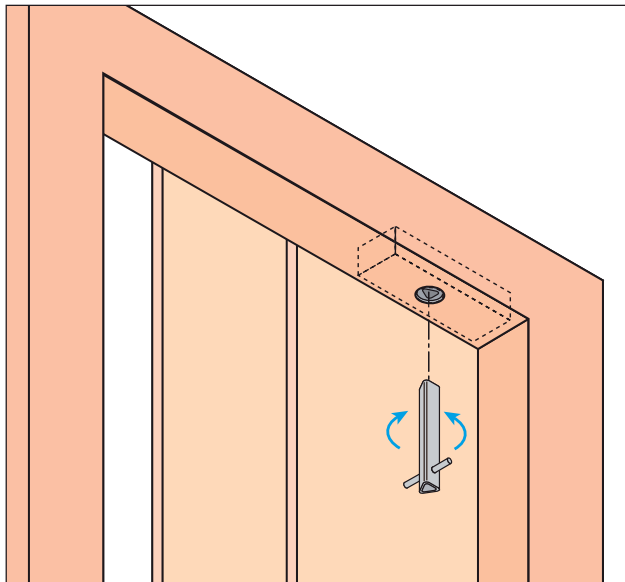
DAV/300

DAV/350

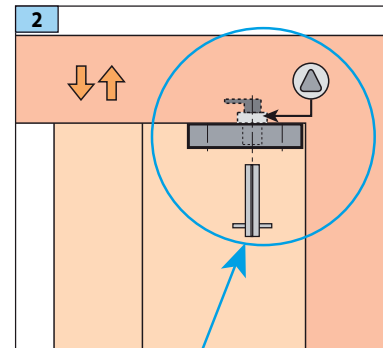
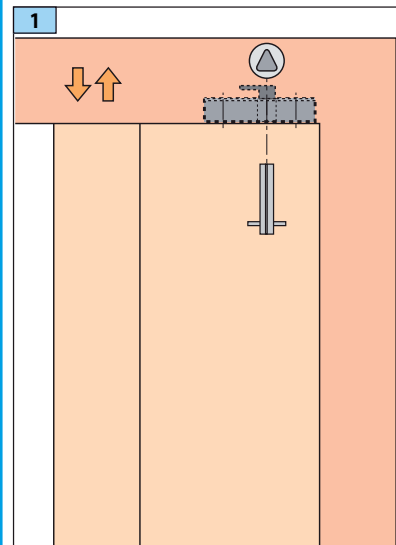
Electromechanical anti vandal unlocking

for automatic sliding door

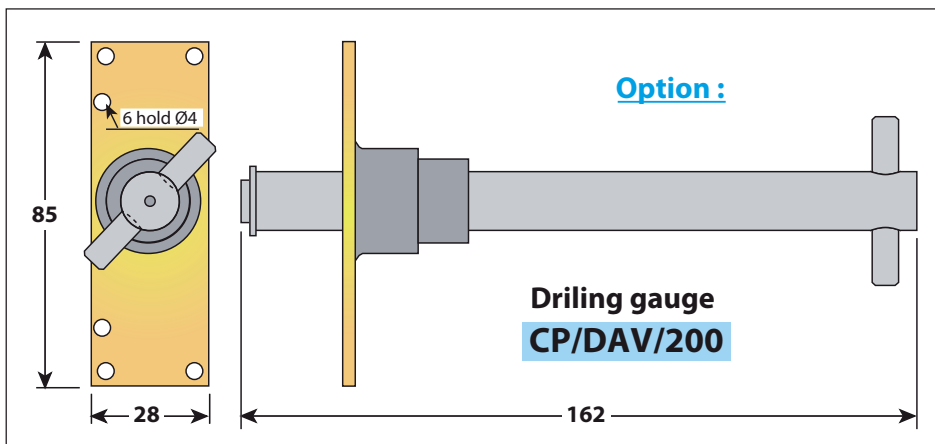
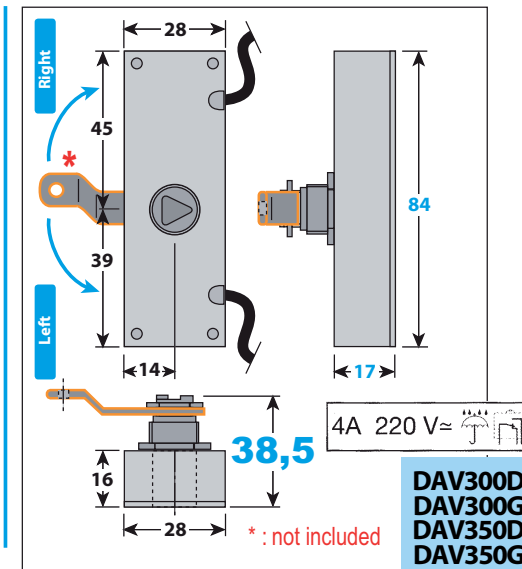
32 100 PRODUCT TECHNICAL CARD-INDEX



New installation and renovation



You can eventually install the DAV300 and DAV350 in application, but this solution is not authorised by prudhomme S.a.



- **DAV 300** (24 V dc - 100 mA)
Switched on, mechanical sticking accessible to the triangle
(impossible to use the unlocking key of the lock).

- **DAV 350** (24 V dc - 100 mA)
Switched off, mechanical sticking accessible to the triangle
(impossible to use the unlocking key of the lock).

WIRING :

- 3 wires (inverse contact) :
black (commun), grey (no) blue (NF)
- 2 wires : feeding 24 V dc

IMPORTANT :
specify the sense of the unlocking (right or left)

DAV300G **DAV300D**

For automatic landing doors